

OPERATION AND MAINTENANCE MANUAL

RR 45 COFFEE GRINDER

RR45 S (semiautomatic)

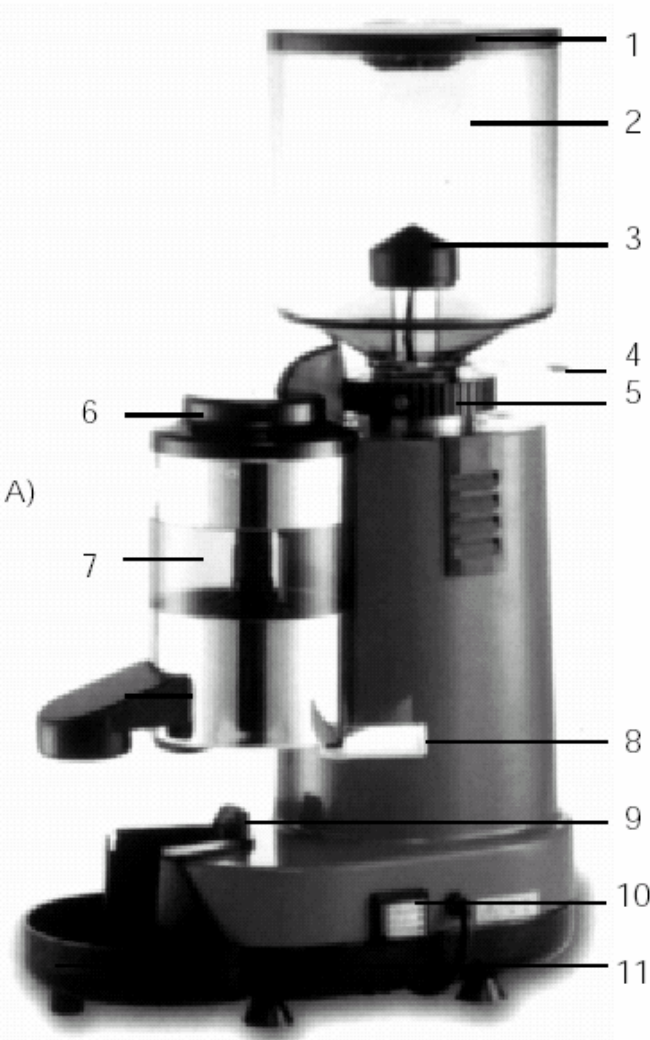
RR45 A (automatic)

LIST

- 1 bean hopper lid
- 2 bean hopper
- 3 safety magnet
(model A)
or safety screws
(model S)
- 4 sheet
- 5 grind adjustment dial
(with safety screw for model S)
- 6 doser lid
(with safety "reed" contact for model A)
- 7 dosing chamber
- 8 dosing lever
- 9 fork
- 10 ON/OFF switch
- 11 coffee spill tray

TECHNICAL DATA

MODEL	RR45
POWER	0,25 (hhp)
R.P.M.	1380 (rpm)
PRODUCTIVITY	9 (kg/h)
EMPTY WEIGHT	12 (kg)
HEIGHT	590 (mm)
WIDTH	190 (mm)
DEPTH	290 (mm)



INTRODUCTION: USE AND CONSERVATION OF THE MANUAL

The dosing grinder is an appliance for grinding coffee beans therefore any other use will be considered unsuitable and hazardous. The user must be an adult. He must comply with the safety regulations in force, ensuring that routine maintenance and cleaning are carried out regularly. The customer is responsible for the people authorized to use the machine and for the correct use and conservation of the manual.

N.B.: the manufacturer reserves the right to make any necessary technical changes on the product and on the manual without prior notice



INSTALLATION - WARNINGS AND SAFETY PRECAUTIONS

The manufacturer has obviously taken every possible precaution to guarantee user's safety but the different installation and/or transport conditions could give rise to uncontrollable or unpredictable situations; so it is always necessary to assess possible hidden hazards and to consider the following suggestions:

- the packing elements (cardboard, cellophane, metal staples, etc.) can cause accidents if not handled carefully;
- any fault or defect should be promptly notified to the authorized and qualified personnel;
- an earthing connection is mandatory;
- the use of extensions or flying connections is forbidden;
- check the condition of the components;
- ensure that the power supply voltage is the same as that of the main supply network to be used in the place of installation.

INSTALLATION

- Place bean hopper in the grind adjustment dial so that the hole corresponds with the screw. Fix the screw so that the bean hopper does not move;
- turn grind adjustment dial clockwise until grind burrs touch;
- turn dial back counterclockwise five notches;
- the grinder should now be set to the correct grind (slight adjustments may be necessary);
- place whole bean coffee in hopper making sure the sheet is opened or closed as needed;
- insert the plug of the coffee grinder in the power socket making sure the voltage corresponds;
- open the sheet and press the switch to turn the machine on.

A) In the automatic version, press the switch to turn the machine on: the appliance switches grinding on and off so that the reservoir is always full.

B) In the semi-automatic version grinding must be started and stopped by the user by pressing the switch to start grinding and pressing it again to stop.



N.B. the burrs will continue to rotate for a few seconds.

N.B. THE COFFEE GRINDER MUST NEVER OPERATE WITHOUT ANY COFFEE.

THE FORESEEN PRODUCTIVITY CYCLE OF THE COFFEE GRINDER (MODEL S) IS 60 sec. ON and 60 sec. OFF

HOW TO OPERATE

- Remove hopper bean lid;
- fill bean hopper with whole bean coffee;
- press the switch to turn the grinding on and to fill the dosing chamber of grinded coffee; (for model S: turn the coffee grinder when the dosing chamber is full; for model A: the grinder will automatically stop when the dosing chamber is full and it will automatically start when the sensing switch senses empty level into the dosing chamber);
- place filter holder under the doser outlet and pull stroke end the dosing lever 8 once, for a single serving, twice for a double serving.

NOTE: The coffee in the dosing chamber must cover the portioning dividers in order to accurately dispense a portion.

- Wipe or brush away any excess grounds on the ring of the filter holder;
- insert the filter holder in the brewing group of the espresso coffee machine to start the brewing process.

TO ADJUST THE PORTION (DOSER)

The amount of coffee dispensed from the doser may be adjusted as follows:

- remove the doser lid
- rotate the knob in the center of the dosing chamber

- A) to decrease the portion size, turn the knob clockwise
- B) to increase the portion size, turn the knob counterclockwise

NOTE: You will hear the knob click at each setting. When increasing the setting take care not to turn the knob too fast. When clicking stops, turn clockwise until you reach the first click. This setting is the maximum dosage.



ATTENTION: *The adjustment of portion (doser) has to be done when the machine is turned off.*

TO ADJUST THE GRIND

Regulation of the grind is done while the appliance is operating.

If the regulation ring-nut is turned clockwise, grinding will be fine, while if it is turned counterclockwise the grain size will be larger.

The numbering on the regulation ring-nut indicates the grinding variations.

A new grind regulation must be carried out whenever the burrs are replaced.

SHUT-DOWN AND DISMANTLING

Whenever it is decided that an appliance of this type will no longer be used, it is recommended to make it inoperable by cutting, after having disconnected the plug from the power socket, the power flex.

It is also recommended to make harmless those parts of the appliance liable to create a hazard danger-proof (such as: burrs, plexiglass,...).

Store the machine in a suitable place, out of reach of children or irresponsible people.

For dismantling as refuse, deliver the appliance to an authorized refuse collection center.

DO NOT DISPOSE IN THE ENVIRONMENT

MAINTENANCE



Maintenance must be done by specialized personnel authorized by the manufacturer.

Do not perform makeshift or ad-hoc repairs, and never use non-original spare parts.

N.B.: ALWAYS UNPLUG THE ELECTRICITY when carrying out maintenance checks or operations.

CLEANING

Before cleaning the machine turn it off using the switch and unplug the power flex.

At last once a week, the container must be removed and cleaned of the layer of grease left by the coffee beans using a clean cloth. Moreover the doser must be cleaned with a brush and with a cleaned cloth if necessary.

If these operations are not carried out there is the risk that the grease will become rancid, with undesirable effects on subsequent fills of coffee.

Use a damp cloth for the base cleaning.

TROUBLE SHOOTING GUIDE

Grinder will not start:

1. Not plugged in
Plug grinder in outlet.
2. Automatic reset has tripped
Turn grinder off and wait ~ 5 min.
3. Safety system tripped (model A)
Correctly relocate hopper lid magnet and dosing chamber lid with "reed" contact.

Motor runs but no coffee is ground:

1. Burs not fed
Burs box free: make sure the sheet (4) is opened.
2. Coffee jammed in burs
Clean burs box and adjust for a coarser grind.
3. Obstruction and/or foreign objects in burs
Close sheet and remove hopper. Unscrew grind adjustment dial and remove foreign object.

Metal scraping sound:

1. Burs touching each other
Turn off grinder. Adjust for a coarser grind.



NOTE:

The following safety system are placed on the above grinders:

A)

Safety reed contact placed on the doser lid
safety magnet placed inside the hopper

B)

No. 01 safety screw for hopper blockage placed on the hopper spout dial
No. 02 safety screws placed on the doser lid.

The above safety systems are placed on our grinders in order to avoid access access to the moving parts during their normal operation use.

When the above safety systems are removed to carry out cleaning and /or maintenance operations you must ensure that they are replaced in their correct position as they are necessary to guarantee the user's safety. Use of the grinder without the above safety systems **is forbidden**.